

Instructions for Use and Installation

Comfortline Excel Overhead Radiant Heating Panels

1. Basic Technical Data

Type	Wattage W	Voltage V	Ingress Protection	Dimensions mm	Weight kg
COMFORTLINE EXCEL 9	900	230/400V	IP44	1550 x 150 x 60	8.1
COMFORTLINE EXCEL 12	1200				
COMFORTLINE EXCEL 18	1800			1550 x 250 x 60	12.9
COMFORTLINE EXCEL 24	2400				
COMFORTLINE EXCEL 30	3000			1550 x 350 x 60	17.7
COMFORTLINE EXCEL 36	3600				

Type	Wattage W	Voltage V	Ingress Protection	Dimensions mm	Weight kg
COMFORTLINE EXCEL 9	960	240/415V	IP44	1550 x 150 x 60	8.1
COMFORTLINE EXCEL 12	1300				
COMFORTLINE EXCEL 18	1960			1550 x 250 x 60	12.9
COMFORTLINE EXCEL 24	2600				
COMFORTLINE EXCEL 30	3270			1550 x 350 x 60	17.7
COMFORTLINE EXCEL 36	3900				

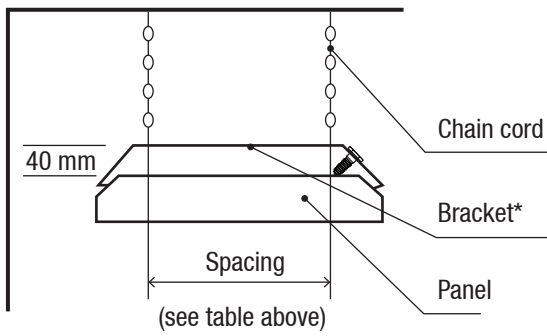
2. Use

These panels are intended for the heating of large spaces mainly halls, workshops, warehouses, patios, alfresco areas, shops function, halls and sports facilities. They can also be used for the local heating of designated areas (zone temperature maintenance). They have surface corrosion protection. However, rapid cooling of the panel when it is hot can result in irreversible damage to it.

3. General Information

- 3.1 Panels are class 1, IP44.
- 3.2 All heaters must be installed by a Licensed Electrician and shall be provided with a means to ensure that they can be disconnected from the supply in accordance with the AS/NZS 3000 wiring rules.
- 3.3 It is very important not to touch the heating panels without gloves or clean hands as it is not possible to remove grease or dirt marks without damage to the heating surfaces.
- 3.4 The panels can either be hung from the ceiling on four fixtures using a chain or cords, or with the help of installation brackets. The brackets are supplied disassembled in the terminal compartment and need to be removed before installation of the panel. The brackets can be supplemented with a swivel bracket (for angle mounting) – (Optional extra).

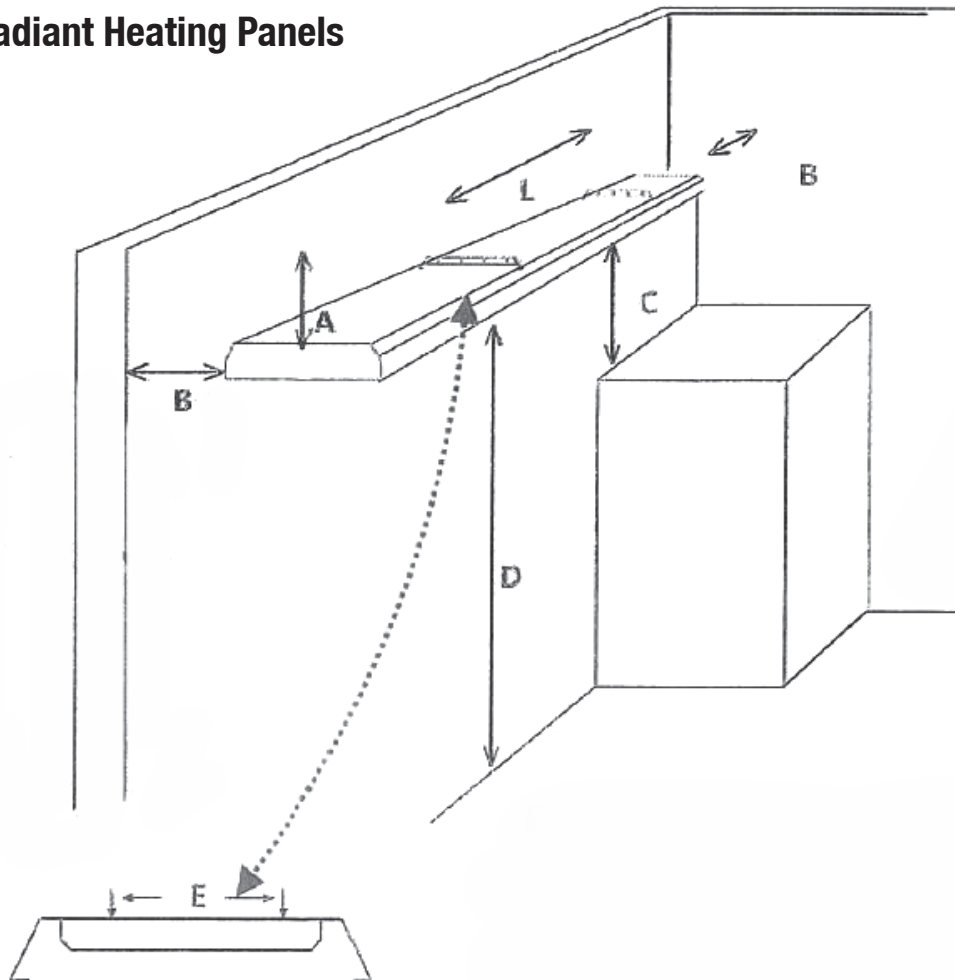
Type	Bracket Mounting Spacing
COMFORTLINE EXCEL 9	40 x 1000
COMFORTLINE EXCEL 12	
COMFORTLINE EXCEL 18	100 x 1000
COMFORTLINE EXCEL 24	
COMFORTLINE EXCEL 30	200 x 1000
COMFORTLINE EXCEL 36	



- Clearance distances from flammable objects:
 - from the radiant surface (temperature up to 380°C) 1 m
 - from other parts of the panel: 250 mm
- Lowest recommended height above the floor
 - 3.5m (Comfortline Excel 30–36)
 - 2.4m (Comfortline Excel 9–24)
- The mutual distance between panels is usually similar to the height of their installation above the floor
- The panel must not be placed directly under an electric outlet.
- Fixing bracket install requirements (see next page)

*Bracket can mount directly onto ceiling

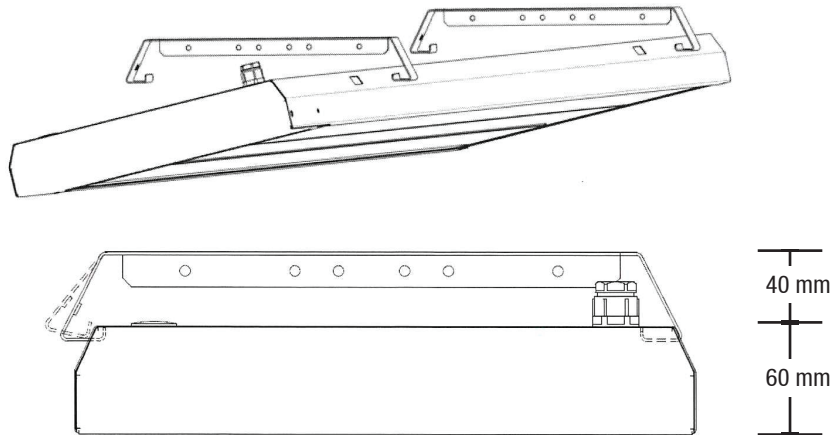
Comfortline Excel Overhead Radiant Heating Panels



Model	A (mm)	B (mm)	C (mm)	D (mm)	E (mm)	L (mm)
COMFORTLINE EXCEL 9	40	250	1000	2400	40	1000
COMFORTLINE EXCEL 12	40	250	1000	2400	40	1000
COMFORTLINE EXCEL 18	40	250	1000	2400	100	1000
COMFORTLINE EXCEL 24	40	250	1000	2400	100	1000
COMFORTLINE EXCEL 30	40	350	1000	3500	200	1000
COMFORTLINE EXCEL 36	40	350	1000	3500	200	1000

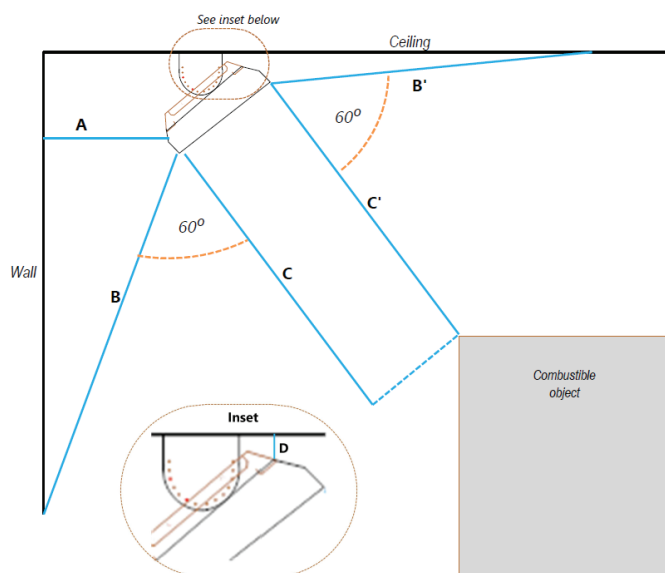
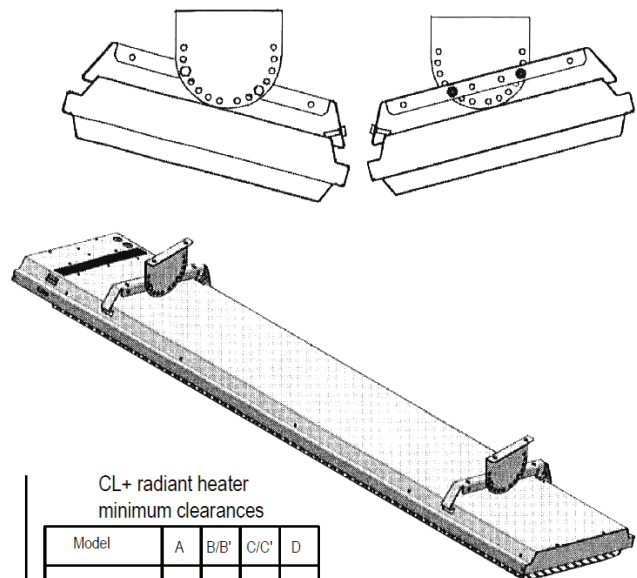
4. Installing Using a Fixing Bracket (Supplied in the heater terminal compartment)

- Attach the mounting bracket so that the opening for the positioning screw is accessible. Slide one side of the panel onto the bracket.
- Slide the panel onto the other part of the bracket then fit the positioning screws (supplied) into the pre-drilled hole on one side of each bracket to prevent it from sliding out. Fit the plastic acorn nut on the end of the screw to protect the paint finish.



5. Installing Using Tilt Brackets (Optional)

Tilt brackets are supplied as a separate kit and are fitted to the standard fixing brackets, as show below.



CL+ radiant heater
minimum clearances

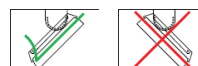
Model	A	B/B'	C/C'	D
CL+09 - CL+24	250	1000	1000	40
CL+30 - CL+36	350	1000	1000	40

All measurements in mm

Tilt Bracket enables the heater to be mounted at 4 different angles of declination in 11.25 degree steps from 0 to 45 degrees.

With each of the steps, the individual clearances above will vary.

The installer is to ensure that the minimum clearances (above) are met.



Do not angle towards nearby wall

6. Connection of the Panels

The supply cables can be looped directly in the supply cable side of the terminal block.

Regulation can be provided by:

- Room thermostats
- Time switch
- Switching individual heating elements separately (Comfortline Excel 18 to 36 kW)

Power relays or contactors may be required where the heating load exceeds the capacity of the switches or thermostats.

COMFORTLINE EXCEL 18–36 panels can be regulated by switching the heating elements separately by the electrician.

Any alterations made to the factory connection in the terminal compartment will void the warranty. In order to comply with the warranty conditions, the installer may only make alterations in the part of the terminal compartment which is used for the connection of the supply cable.

All wires **MUST** be tied together at the terminal block to ensure safe operation of the heater.

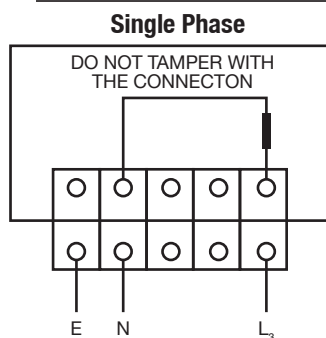
If the supply flexible cord is damaged, it must be replaced by a qualified person in order to avoid a hazard using ordinary polyvinyl chloride sheathed cord type 60227 IEC 53 (EU designation = H05VV-F) or equivalent.

For models Excel 9, 12, 18, 24 and 30: The supply flexible cord core cross-sectional area shall be at least 1.5 mm².

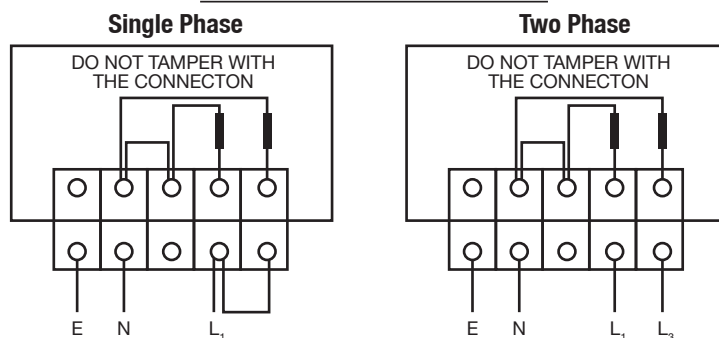
For model Excel 36: The supply flexible cord core cross-sectional area can be 1.5 mm² for three-phase connection.

The supply flexible cord core cross-sectional area shall be 2.5 mm² for single phase connection with the line input terminals bridged using 1.5 mm² single core insulated wires.

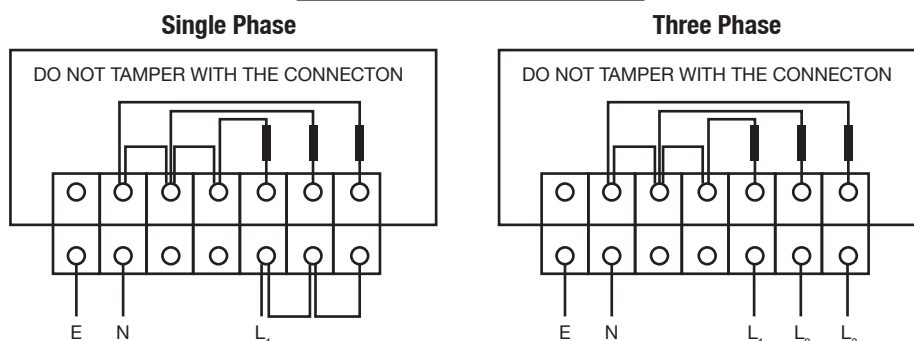
Comfortline Excel 9–12



Comfortline Excel 18 – 24



Comfortline Excel 30 – 36



7. Maintenance

This is limited to cleaning the panel by dusting it or wiping it with water and a soft cloth. **The radiant surface is not cleaned.**

Dust deposits and dampness on the surface of the product lead to the corrosion of components. Remove the dust and dirt, which adsorbs dampness, at least once a year (at least once a month in environments with higher humidity, mineral substances in the atmosphere or excessive dust). Comfortline Excel panels should be inspected annually to ensure general maintenance and safety requirements. With regular use and prolonged exposure to the elements and corrosive environments, changes to the appearance and aesthetics of the panels are to be expected.

8. Warranty Conditions

The following Warranty provided by Devex Systems ABN 39 898 434 262, is offered in addition to any relevant statutory Federal or State Warranty. **Devex Systems warrants the Comfortline Excel model for a period of 5 years.**

Devex Systems warrants its product against defects in material, manufacture, or workmanship. Proof of purchase must be provided. Installations must be carried out in accordance with the instructions supplied and must be installed by a licensed electrician. An authorised Devex Systems representative must be given the opportunity to inspect and report on the defect. The obligation of Devex Systems is to repair or replace the defective product only free of charge to the customer. The faulty product must be returned to the place of purchase, or to Devex Systems, where Devex Systems reserves the right to repair or replace the unit at no cost within a reasonable period of time.

This Warranty does not cover faults caused by incorrect installation, damage by others, misuse, lightning, or, incorrect design by others or where payment is in default. Rectification work, performed as a consequence of matters not covered by the Warranty, or on an installation, will be at the expense of the customer. This warranty does not cover the changes to the panel's appearance resulting from but not limited to the corrosion of parts due to environmental conditions such as high levels of salt or exposure to chemical agents. The Warranty is void, if payment of the equipment is in default. At all times, we at Devex Systems will respond honestly, efficiently and promptly to all queries and reasonable requests from our customers.

9. Warning

When the panel heats up for the first time, there may be a burning smell which is harmless and may smoke for a period of a maximum of 60 minutes. Do not touch or attempt to clean the heating segments, which are covered by a Silicating layer, (if contact with the segments is necessary, you may use clean textile gloves only). After installation and before connecting the power, remove the protective covering which protects the radiant surface. The ambient temperature (the temperature of the surrounding area) around the radiant panel must not exceed 30°C when the heater is switched on.

Warning – Some parts of this product may become very hot and cause burns. Special attention must be paid to this fact in the presence of children and/or the infirm.

Children should be supervised to ensure that they do not play with the appliance.

Unit 5, 83 Bassett Street Mona Vale \ PO Box 707 Mona Vale NSW 1660
T 1800 636 091 \ F 02 9997 7852
E info@devexsystems.com.au \ W www.devexsystems.com.au
Devex Systems Pty Ltd \ ACN 122 894 562

BROCCLN504.5

