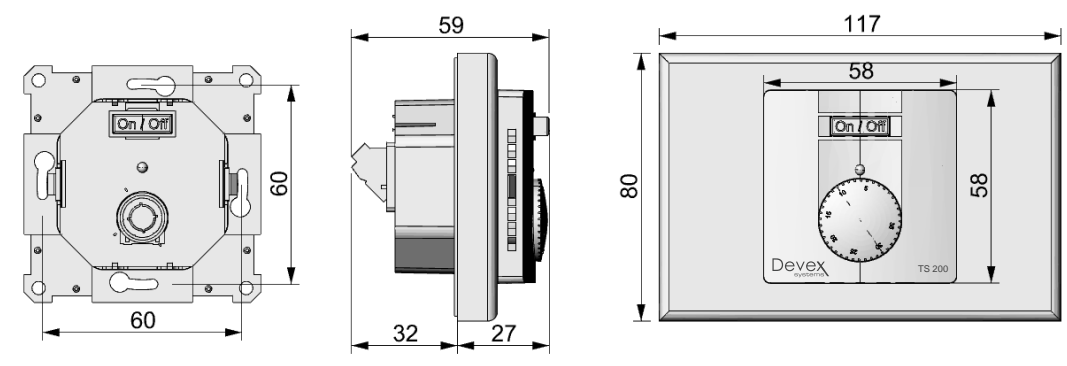


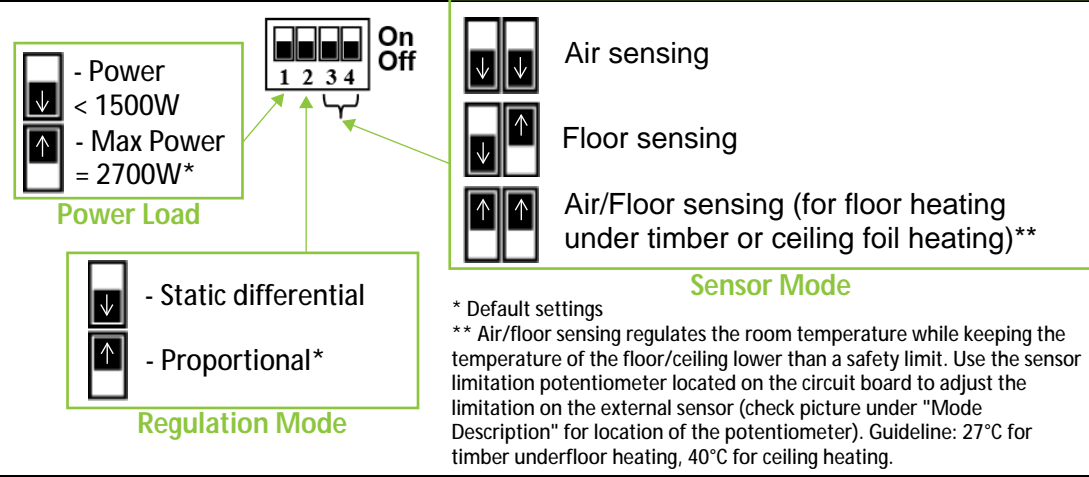
3m 15 kOhms NTC sensor
(included with A0B001 and A0B003)



Technical specifications

Sensing Type	Air / Floor / Air-Floor
Mounting	Semi-recessed
Measured temperature precision	± 0.1°C
Operating temperature	0°C - 40°C
Setting temperature range	5°C - 35°C
Floor limiting temperature range (if set to air / floor sensing)	10°C - 40°C
Night Reduction	-4°C
Regulation characteristics	Proportional band 10 min for 2°C or Static differential 0.5°C
Electrical protection	Class II - IP30
Power supply	230 VAC ± 10%
Output	Relay 16A 250Vac Resistive Load
Optional external floor sensor	NTC - 15 kOhms at 25°C

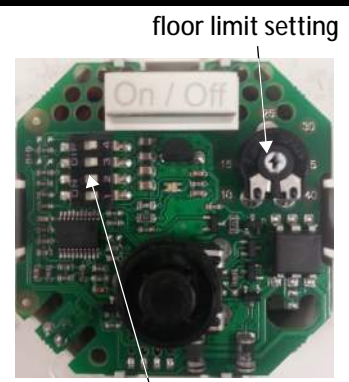
Configuration Switch



Mode Description

Electronic thermostat specially designed to control electric floor heating. External pilot wire for night reduction (-4°C)

Possibility to regulate either the floor or room temperature, or combined (in this case, the floor sensor is used as a temperature limiter)



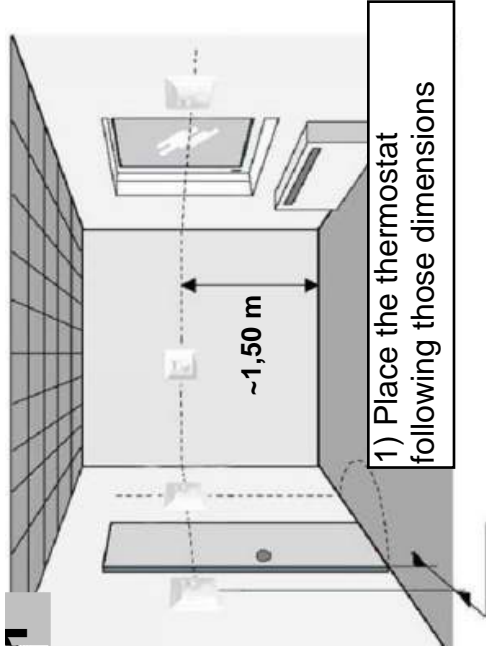
configuration switch

Troubleshooting

LED Indicator:
 Red: Heating
 Green: reduction mode by clock (pilot wire)
 Orange: Heating during reduction mode by clock (pilot wire)

Red blinking:

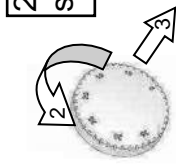
- 0.5s cycle = External and internal sensor failure
- 1s cycle = Internal sensor failure
- 2s cycle = External sensor failure



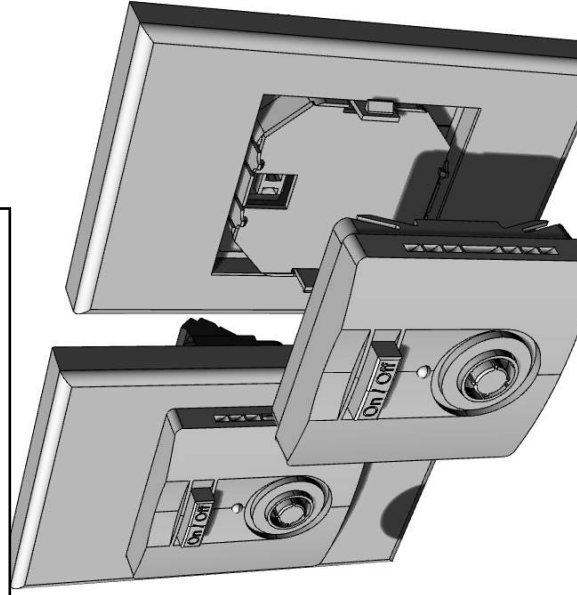
1) Place the thermostat following those dimensions

Min 20cm

~1,50 m



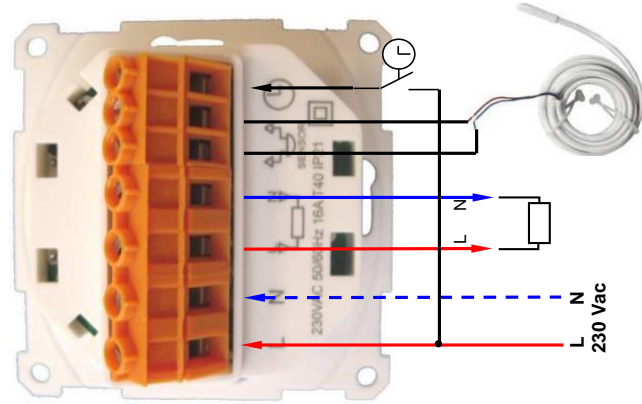
2) Rotate the adjusting knob so that it is set at 5°C



3) Remove the temperature setting knob

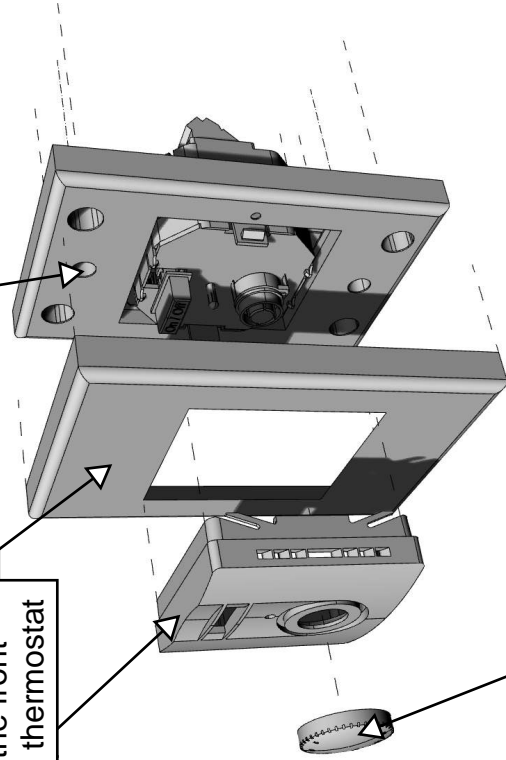
4) Remove the front cover of the TS 200 by pressing on the two side clips

5) Wire the thermostat according to this wiring diagram



7) Mount the front cover, then the front cover of the thermostat

6) Fix the back cover plate onto the steel frame using either the two middle holes, or the four corner holes.



8) Finally, mount the adjusting knob back into place, making sure it is set at 5°C.

