

Devireg™ 610 Weatherproof Thermostat

Applications

- Frost protection
- Cooling systems
- Room heating
- Floor heating
- Snow melting
- Pipe tracing

DEVI™
Heating Systems



The **Devireg™ 610** is a versatile thermostat that can be used in many applications.

It has an IP rating of 44 so it can be used in many indoor and outdoor applications. It can be wall mounted or fixed to a pipe and it has a high control range from -10°C to 50°C.

Devireg™ 610 Weatherproof Thermostat

Features

- The thermostat is supplied with a sensor
- Sensor cable can be extended up to 50m (2 x 1.5mm²)

Technical Data

Voltage	240V ~
Temperature Range	-10° to +50°C
Change-over Switch	NO/NC
Load	10Amps/10Amps
Inductive Load	3 Amps
Switch	2-Pole
Hysteresis (degree of accuracy)	0.4°C
Control Light	LED diode
Sensor Types	NTC 15kOhm
Warranty	2 years

Stock Program

Product Code	Sensor	Moisture Proof	Voltage
19116284	Floor Probe	IP 44	240V

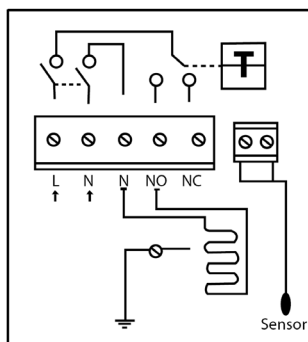
Pipe Fittings

Code No.	Application	Material
19116920	Pipe Fixing Band	Stainless Steel



Connection diagrams

Heating



Cooling

