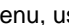





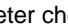





3m 15 kOhms NTC sensor  
(included with AOC001)

The TS300 has one advanced menu.

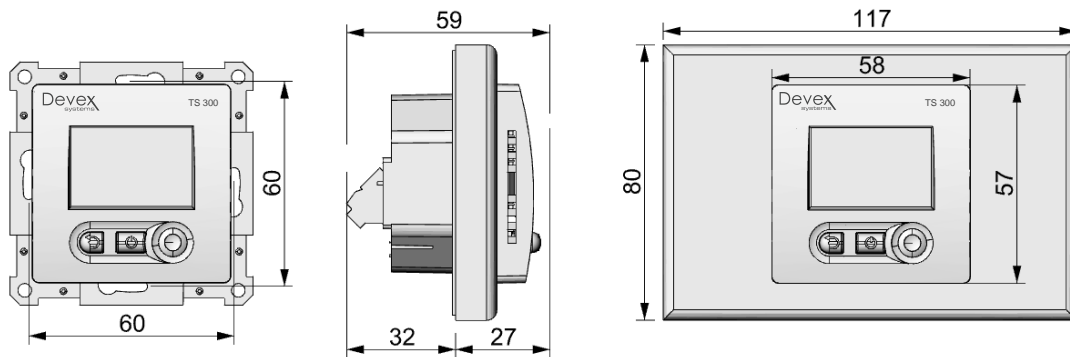
1. In order to enter in this menu, use the joystick , and select the Timer mode   Auto 
2. Then maintain the joystick  on the left direction during 5 seconds.
3. The first parameter must be appears "N°01 SEnS"
4. Use the joystick  to choose the parameter which needs to be adjusted.
5. Once the parameter chosen, press on the joystick ; the value then blinks. You can now adjust it with the joystick . To valid your adjustment press once again on the joystick .
6. To exit the parameter menu, go to the parameter « N°09 End » and press the joystick .

## Technical specifications

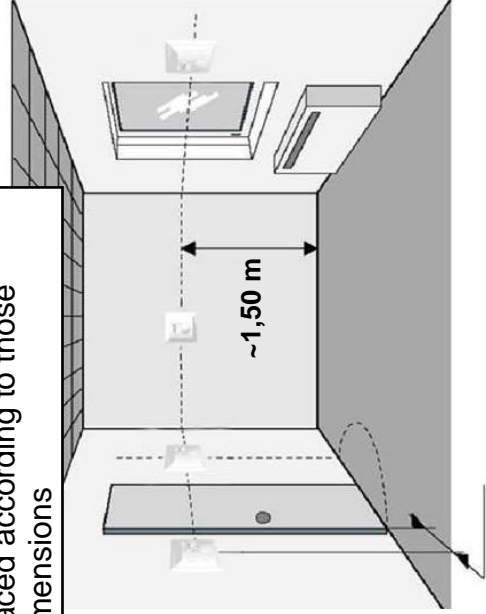
<b>Sensing Type</b>	Air / Floor
<b>Measuring accuracy</b>	0.1°C
<b>Operating temperature</b>	0°C - 50°C
<b>Setting temperature range</b>	5° C – 37° C by 0.5° C step
<b>Regulation Characteristics</b>	Integral proportional band or Static differential. (adjustable in the installer's menu)
<b>Electrical Protection</b>	Class II - IP21
<b>LCD back light</b>	Amber
<b>Main Switch</b>	Two poles 16A
<b>Power supply</b>	230Vac +/- 10% 50Hz
<b>Output</b>	Relay 16A 250Vac resistive load (AC1)
<b>Type of external sensor</b>	NTC - 15 kOhms at 25°C

Menu number	Name	Parameter description	Factory setting value	Other values
01	SEnS	Selection of the sensor used for the regulation.	<b>Sens Air Only</b> (Internal sensor only)	<b>Sens Flor Only</b> (External sensor only used as floor sensor or external ambiance sensor)
02	CAL Air	<p><b>Calibration of the internal probe</b></p> <p>The calibration must be done after 1 day working with the same set temperature following those steps:</p> <ol style="list-style-type: none"> <li>1) Put a thermometer in the room at 1.5M distance from the floor (like the thermostat) and check the real temperature in the room after 1 hour.</li> <li>2) When you enter on the calibration, parameter "no" is displayed to indicate that no calibration has been made. To enter the value read on the thermometer press on the joystick, the message "___" blinks. Enter the real value with the joystick «up and down» and valid your adjustment by pressing the joystick.</li> <li>3) The message "Done" should be displayed and the value is be stored in the internal memory.</li> <li>4) If you need to remake the calibration, enter once again on the installation menu, and press on the joystick when the message "Done" is displayed, then the message "___" should be blink.</li> </ol> <p>The old value will be erased if you valid by pressing on the joystick and the message "no" or will be replaced by the new one.</p> <p><i>Please note:</i> Only the heating element managed by the thermostat must be run during the complete step of the calibration.</p>	no (no calibration has been made)	done (calibration has been made)
03	CAL SoL	<p><b>Calibration of the external probe</b></p> <p>The calibration must be done the same way as described above if the external sensor is connected and used like an external ambiance sensor.</p> <p>If the external sensor is used as floor sensor, the thermometer should be put on the floor.</p>	no (no calibration has been made)	done (calibration has been made)
04	1rst Heat	<p><b>Drying function (for cement, concrete floor...)</b></p> <p>The first time the thermostat is on, the relay will be ON for a total of 2 hours spread over 24 hours on the first day, then a total of 3 hours spread over 24 hours for the next 21 days. The temperature is limited to 20°C during this period.</p>	no (function not activated)	« 21 » Function activated Note: The function will be kept in case of power supply cutting.
05	LoAd	<p><b>Value of the power connected on the thermostat (in Watts)</b></p> <p><i>Please note:</i> 1) When the power connected on the thermostat exceeds &gt; 2300W, you must use an external power relay (contactor). Then adjust the parameter on "0000" position. 2) When the external sensor is used for the regulation it's not necessary to adjust this parameter.</p>	1500	Adjustable 0 to 3500W by step of 50W  Your adjustments Room : _____ Installed power : _____
09	End	<p><b>To exit the installation menu</b></p> <p>The software version is displayed.</p>	Press the joystick to exit	

## Dimensions

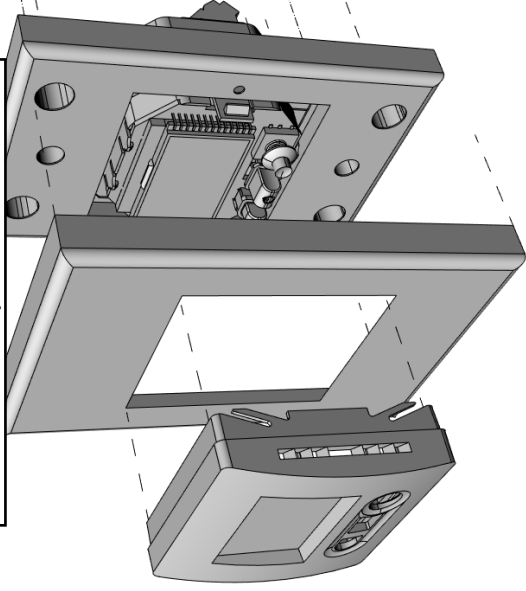


1) The thermostat should be placed according to those dimensions



Min 20cm

2) Dismount the thermostat from the cover plate by pressing the two side clips



3) Wire the thermostat according to the instruction below

With air sensing, you can drive directly up to 2,300W (10A) with your X thermostat TS 300 (fig1). For floor sensing, you can drive directly up to 2,700W (11.7A). For more power, you must install an external contactor to optimise and keep a good regulation (fig2).

Mounting instruction:

- All electrical conduits to the thermostat box that contain heating cable and floor sensor must be sealed to protect the thermostat against hot air currents.
- In case of the installation use a floor sensor: the sensor must be mounted alone in a separate conduit.
- If your installation doesn't use the pilot wire, don't connect this wire on the thermostat to avoid electrical perturbation. Don't forget to adjust the power parameter. (Installation menu 05)

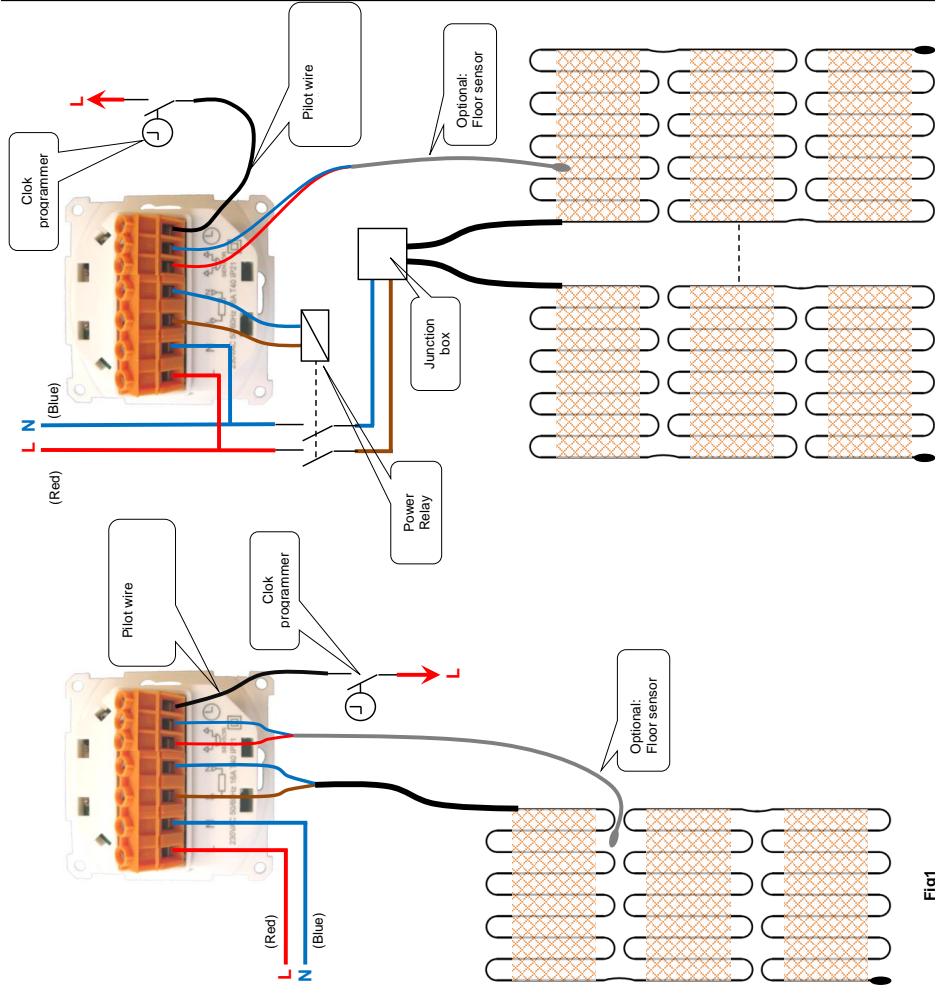
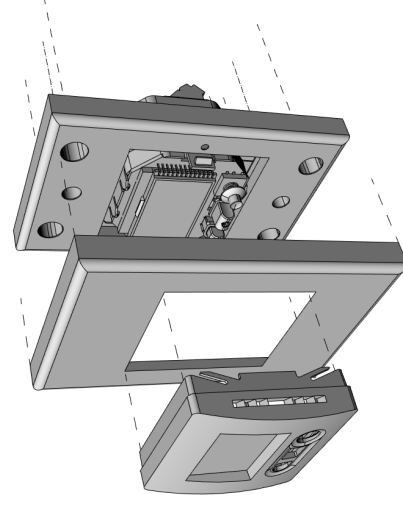


Fig1  
One or more cable loops for a total power up to 2300W

Fig2  
Several cable loops for a total above 3600W



4) Put back the front of the cover plate as well as the front cover of the thermostat