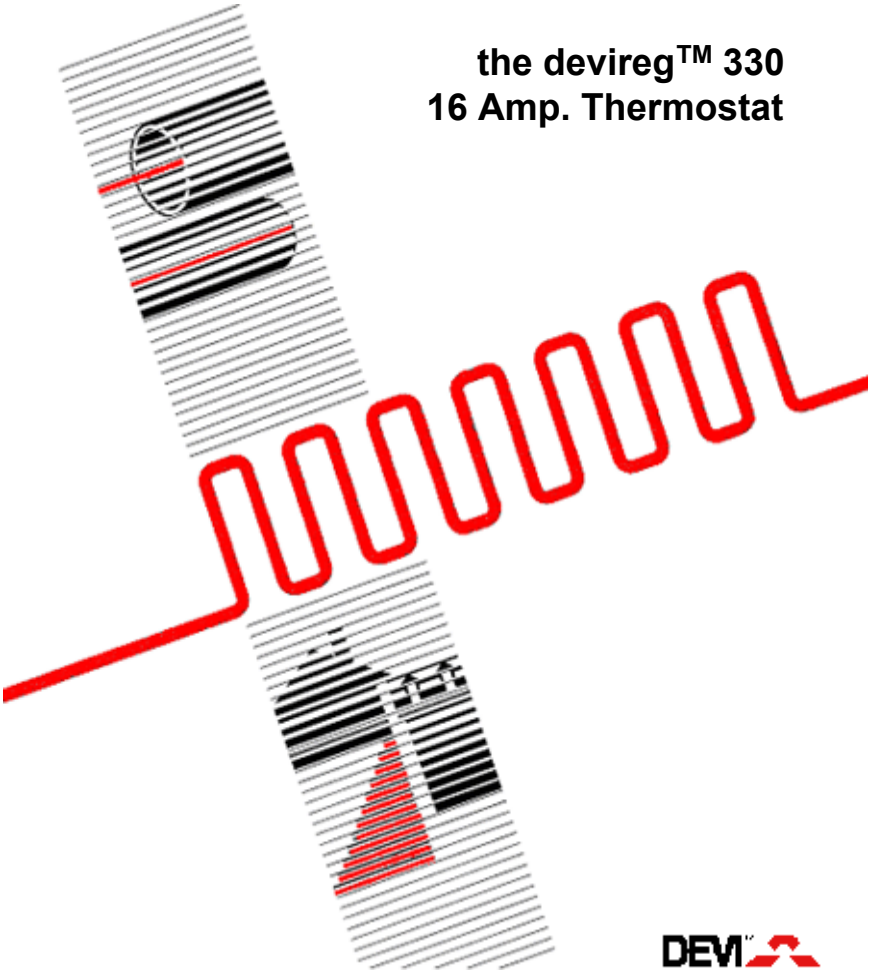


# AUS Installation and Use Instructions

the devireg™ 330  
16 Amp. Thermostat



DEVI™ 

## PLEASE NOTE

The enclosed Floor Sensor **MUST** be installed so that it may be **REMOVED** for service if required!

The sensor probe should be installed into a conduit with no more than one wide-angle bend. This should be installed from the floor to the thermostat or junction box located directly above the heated area.

**PLEASE READ ENCLOSED INSTRUCTIONS**

### **Application:**

The **devireg™ 330** is used for the control of room temperature, refrigeration systems, floor temperature, frost protection, snow melting, industrial purposes and roof gutter installations.

### **Installation:**

The **devireg™ 330** is an electronic thermostat with a 5°C temperature set back. It is designed for installation into Panel Boards with an overall minimum height of 52mm, as well as for DIN rail attachment.

1. The installation must be permanent. **The devireg™ 330** must be mounted after an external switch or circuit breaker.
2. The set temperature can be lowered (set back) by 5°C when terminal 6 is short-circuited by means of an external switch or time switch.
3. Thermostat must be attached to a vibration-free surface.
4. If the air sensor is used, it must be mounted on an internal wall approx. 1.5m above the floor. It must not be located in the immediate vicinity of radiators, doors, windows or anywhere where the thermostat could be exposed to direct heat or draughts etc.
5. The connection between the floor or air sensor should be made using 1.5mm<sup>2</sup> 2-core cable. The cable length can be up to 50m without affecting the accuracy of the thermostat. The cable must not be placed parallel to high voltage cables as this can induce undesirable signals. It must not be in the same conduit as the heating circuit wiring.
6. If the sensor is to be cast to the floor or will be exposed to pressure the sensor **MUST** be installed into a conduit with no more than one bend.

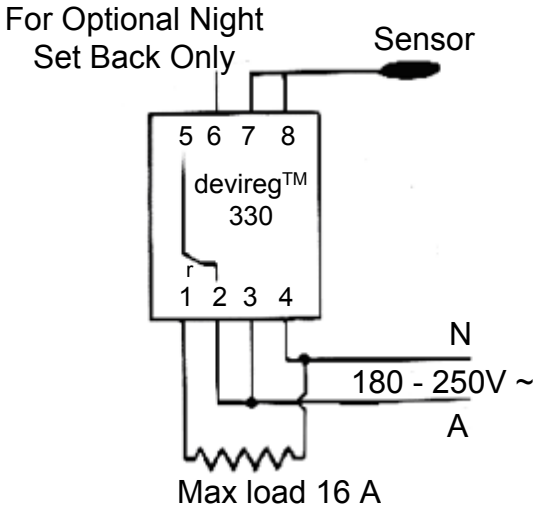
7. Contactors or other objects producing strong electromagnetic fields must not be placed in the immediate vicinity of the thermostat.

8. Connections should be made according to the circuit diagrams (see figs 1&2).

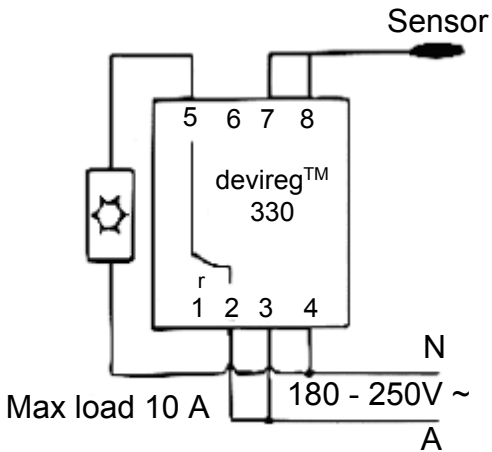
Loads over 16 Amps must be controlled via a contactor, fig. 4. The correct Contactor size depends on the total load of the heating elements for the zone. Ensure that the Contactor selected is suitably sized. Some Contactors can be wired to share the load between contacts, however this should be confirmed with the manufacturer.

If a number of Contactor/Circuit Breakers are mounted close together, adequate ventilation space must be allowed. As the devireg™ 330 is not equipped with a separate Earth Terminal, the earthing screen of the heating cable must be connected to the household Earth.

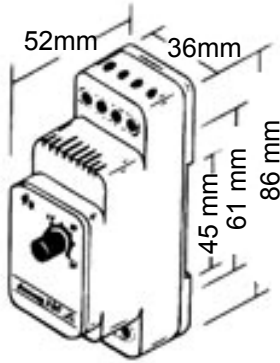
**The 'Cold Tails' from the floor have a center core that is called the cold tail conductor. This conductor is surrounded by an earth braid/shield.**



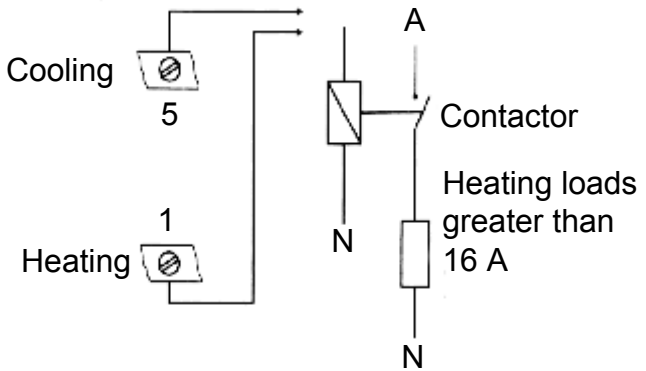
**Fig 1. HEATING**



**Fig. 2 COOLING**



**Fig. 3 Dimensions**



**Fig. 4 Loads greater than 16 Amps**

Contactor sizing and installation must be in accordance with the manufacturer's recommendations.

## Trouble Shooting

### Function:

If activating the thermostat does not turn on heating, check all the circuit breakers including the RCD before contacting your Electrical Contractor.

### Trouble-shooting chart:

For the Electrical Contractor only!

### Function

- Control mains voltage on terminals 3 and 4.
- Tighten up load terminals 1 and 4
- Measure the resistance in the heating cable and calculate the output:

$$P = \frac{V^2}{R} = \frac{57600}{R} \text{ W (at 240 V~)}$$

The calculated output of the heating cable can be determined by looking it up in your **DEVI** catalogue.

- If the sensor wire terminals 7 and 8 are removed, the red indicator lamp should light up and the thermostat should switch ON. If not the thermostat is faulty.
- Measuring the Sensor with an Ohmmeter should give a stable resistance compared to the ambient temperature – see Technical Data Chart
- If the sensor access – terminals 7 and 8 – is short-circuited, the green indicator lamp should light up and the thermostat should be switched off. If not, the thermostat is faulty.

## Technical Data

Temperature range:	+5 <sup>0</sup> C to +45 <sup>0</sup> C
Voltage:	180 – 250 V ~ 50 Hz
Load:	Cos φ =0.3 max. 2 A
Breaking capacity terminals 2 and 5:	10 A 250 V ~
Breaking capacity terminals 1 and 2:	16 A 250 V ~
Hysteresis:	0.5 <sup>0</sup> C
Night set-back:	5 <sup>0</sup> C
Operating temperature:	-10 <sup>0</sup> C to +50 <sup>0</sup> C
Moisture proof:	IP 20
Sensing unit:	NTC 15 kOhm at 25 <sup>0</sup> C
Sensing values:	-10 <sup>0</sup> C 66 kOhm 0 <sup>0</sup> C 42 kOhm +25 <sup>0</sup> C 15 kOhm +50 <sup>0</sup> C 6 kOhm
<p><b>LED Indicator:</b></p> <p>No Light</p> <p>Red</p> <p>Green</p>	<p>The System is OFF.</p> <p>The Heating is ON but the preset temperature has not been reached.</p> <p>The preset temperature has been reached and Heating is OFF.</p>



## Austalian Warranty Certificate

The following Warranty is provided by DEVI Heating Systems ABN 39 898 434 262, herein after referred to as DEVI. It is offered in addition to any relevant statutory Federal or State Warranty.

DEVI is a partner of the DEVI Group of Companies, who are a Danish based specialist heating product manufacturer.

DEVI A/S Denmark is a member of the European Group of Supplier's, and is at all times subject to EEC general product liability rules.

DEVI warrants deviflex® heating cables for a period of TEN (10) YEARS from the date of purchase and all other DEVI products for a period of TWO (2) YEARS, from the date of purchase.

DEVI warrants its products against defects in manufacture, material, or workmanship. Proof of purchase must be provided. Installations must be carried out in accordance with the instructions supplied, and by accredited installers.

An authorized DEVI representative must be given the opportunity to inspect and report on any defects.

The obligation of DEVI, under this warranty, is to repair or replace any product, which, within the above stated time periods, is found to our satisfaction to be defective, free of charge to the customer. However, the labour cost for removing and/or refitting any product will be at the customer's expense. In the case of any removable products such as Thermostats, these are to be returned to the place of purchase, or to DEVI Sydney, where DEVI reserves the right to repair or replace the unit at no charge or unreasonable delay to the customer.



In case of parts not of our own manufacture you are entitled only to such benefits as we may receive under any guarantee given to us by the manufacturers in respect thereof. We shall not be liable for consequential or special damages under any circumstances whatsoever.

This Warranty does not cover faults caused by incorrect installation, damage by others, misuse, misapplication, incorrect voltage, lightning, or incorrect design by others, or where payment is in default. Rectification work, performed as a consequence of matters not covered by the Warranty, will be at the expense of the customer.

DEVI will respond honestly, efficiently and promptly to all queries and reasonable requests from our customers.

DEVI ABN 39 898 434 262

Head Office:

Tel: (02) 9997 2811

Fax: (02) 9997 7852

Freecall: 1 800 636 091

PO Box 707  
MONA VALE  
NSW 1660  
Australia

## **WARRANTY AS SUPPLIED BY DEVI** **DENMARK**

You have purchased a devireg™ 330 thermostat, which forms an integrated part of a deviheat system, which we are certain will improve your home comfort and economy. deviheat provides complete heating solutions with deviflex heating cables or devimat heating mats, devireg thermostats and devifast fitting bands.

If, however, contrary to all expectations, a problem should occur with your heating system, we at DEVI, with manufacturing units in Denmark, are, as European Union suppliers, subject to general product liability rules, as stated in Directive 85/374/GEE, and all relevant national laws which implies that: DEVI provides a warranty for deviflex heating cables and devimat heating mats for a 10 year period and all other DEVI products for 2 year period against defects in material and production.

The guarantee is granted on the condition that the WARRANTY CERTIFICATE on the overleaf is filled out properly in accordance to instructions and that the defect is inspected by, or presented to, DEVI or authorised DEVI distributor.

Please note that the wording of the WARRANTY CERTIFICATE must be provided in English or local language with the ISO code for your country in the upper left corner of the front page of the installation instructions in order to release the warranty.

The obligation of DEVI will be to repair or supply a new unit, free of charge to the customer, without secondary charges linked to repairing the unit. In case of defective devireg thermostats, DEVI reserves the right to repair the unit free of charge and without unreasonable delay to the customer.

The DEVI warranty does not cover installations made by unauthorised electricians, or faults caused by incorrect designs supplied by others, misuse, damage caused by others, or incorrect installation or any subsequent damage that may occur.

If DEVI is required to inspect or repair any defects caused by any of the above, then all work will be fully chargeable. The DEVI warranty is void, if payment of the equipment is in default. At all times, we at DEVI will respond honestly, efficiently and promptly to all queries and reasonable requests from our customers.

The above mentioned warranty concerns product liability whereas matters in relation to legislation on sale of goods shall be referred to national law.

\*This Warranty is provided by DEVI A/S, Denmark.  
Please contact your local DEVI Company for local  
Warranty details

# Warranty Certificate

The DEVI™ Warranty is granted to:

Name:

---

---

Address:

---

---

Postal Code:

---

---

Phone:

---

---

Please Observe!

In order to obtain the DEVI™ Warranty, the following must be carefully filled in. See other conditions on the overleaf.

Electrical Installation By:

---

---

Installation Date:

---

---

Type of Thermostat:

---

---

Production Code:

---

---

---

---

Suppliers Stamp



DEVI

DK . 7100 Vejle

Tif +45 76 42 47 00

Fax +45 76 42 47 03

14.02.07 Art.nr. 08095103 - 01.01