

Devireg™ 535 Digital Timer Thermostat

Applications

- Indoor room/comfort heating

Functions

- Programmable thermostat
- Frost protection
- Controlling the room temperature and limiting the floor temperature which also makes the Devireg™ 535 suitable for wooden floors
- When used for ceiling heating, the sensor probe can be used to limit the temperature of the plasterboard to 42°C as recommended by most plasterboard manufacturers



This digital timer thermostat Devireg™ 535 comprises several functional benefits for end users as well as installers. The Devireg™ 535 contains three functions in one, allowing the installer to set the thermostat to floor sensor, - room sensor or a combination of the two. This means that the thermostat is suitable for all rooms in the house. Devireg™ 535 is IP class 31 which makes it suitable for installation in wet rooms: One thermostat for all purposes.

BROCDEV115.1

*Intelligent
Heating Solutions*

DEVI™
Heating Systems

Devireg™ 535 Digital Timer Thermostat

Features

- Double pole safety breaker
- The lowest standby consumption on the market, max. 0.30W
- Built-in sensor failure monitoring circuit, which will switch off the heating if the sensor is disconnected or short circuited
- Light indication (LED) for function/fault
- IP31 - Suitable for use inside bathrooms
- 80 days battery back-up
- Childproof function
- 3 in 1 thermostat – can be programmed to use floor sensor alone, room sensor alone or combined room and floor sensor
- Can be locked at a certain maximum floor temperature – which makes the 535 very well suited for wooden floor applications
- Can be programmed at a certain minimum temperature – which ensures a comfortable warm floor temperature even on a warm summer day
- Displays actual temperature
- Digital timer thermostat
- Can also be used for ceiling heating, as well as ceiling radiant panels

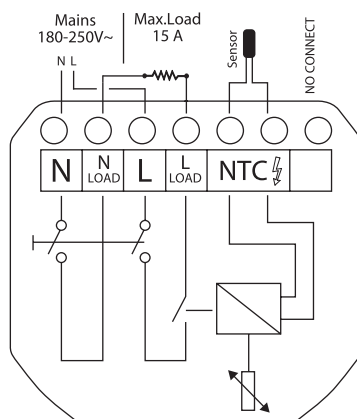
Technical Data

Operation voltage	180-250 VAC, 50/60 Hz
Standby power consumption	Max. 0.30 W
Relay • Resistive load • Inductive load	230V ~ 15A / 3450W cos = 0.3 Max. 4A
Sensing unit	NTC 15 kOhm at 25°C
Sensing values • 0°C • 20°C • 50°C	42 kOhm 18 kOhm 6 kOhm
Hysteresis	± 0.2°C with room sensor, ± 0.4°C with floor sensor only
Ambient temperature	-10° to +30°C
Frost protection	5°C
Temperature range	5-35°C with room sensor, 5-45°C with floor sensor only. Floor max. 20-50°C, floor min. 10-45°C only when installed with room and floor sensor combination
Sensor failure monitoring	The thermostat has a built-in monitoring circuit, which will switch off the heating if the sensor is disconnected or short-circuited
Light indications (LED) • No light • Green light • Green light flashing • Red light • Switching between red and green light	The system is turned off System is standing by, set point temperature reached Floor sensor is defective System is heating The floor temperature limit prevents the set point room temperature from being reached.
IP class	31
Dimensions (H/W/D)	78 x 115 x 50 mm
Warranty	2 years

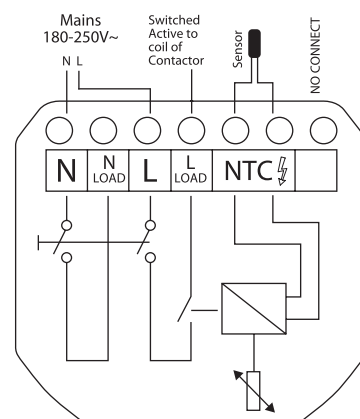
Stock Program

Code No.	Colour	Temperature	Sensor
19116645	Polar White	5°C - 35°C	air/floor probe

a. Loads below 15 amps



b. Loads above 15 amps



Head Office

5/83 Bassett Street Mona Vale
PO Box 707 Mona Vale NSW 1660
Phone 1800 636 091
Fax 02 9997 7852
Email info@devi.com.au
Web www.devi.com.au

DEVI™
Heating Systems