

Devireg™ 530 Room Heating Thermostat Series

Applications

- Indoor room/comfort heating.
- Devireg™ 530:
Comfort heating (floor sensor)
Set point dial: Numerical scale
- Devireg™ 531:
Room heating *(room sensor)
Set point dial: Celsius scale
- Devireg™ 532:
Comfort heating for wooden
floors (floor and room sensor)
Set point dial: Celsius scale



The Devireg™ 530 series consists of simple but efficient indoor room thermostats.

The Devireg™ 530 series ensures simple and precise controlling of electrical floor heating in rooms with all kinds of flooring.

Can be used in conjunction with C-Bus or other home automation systems.

Ideal for separate 24 hour time clock control of zones with time of use metering.

* Devireg™ 531 is not recommended for floor heating applications. Can be used for outdoor heating with radiant heating panels.

BROCDEV114.1

*Intelligent
Heating Solutions*

DEVI™
Heating Systems

Devireg™ 530 Room Heating Thermostat Series

Functions

- Controlling the room temperature
- Frost protection
- Devireg™ 532: controlling the room temperature and limiting the floor temperature which makes the devireg™ 532 suitable for also wooden floors
- When used for ceiling heating, the sensor probe can be used to limit the temperature of the plasterboard to 42°C as recommended by most plasterboard manufacturers

Features

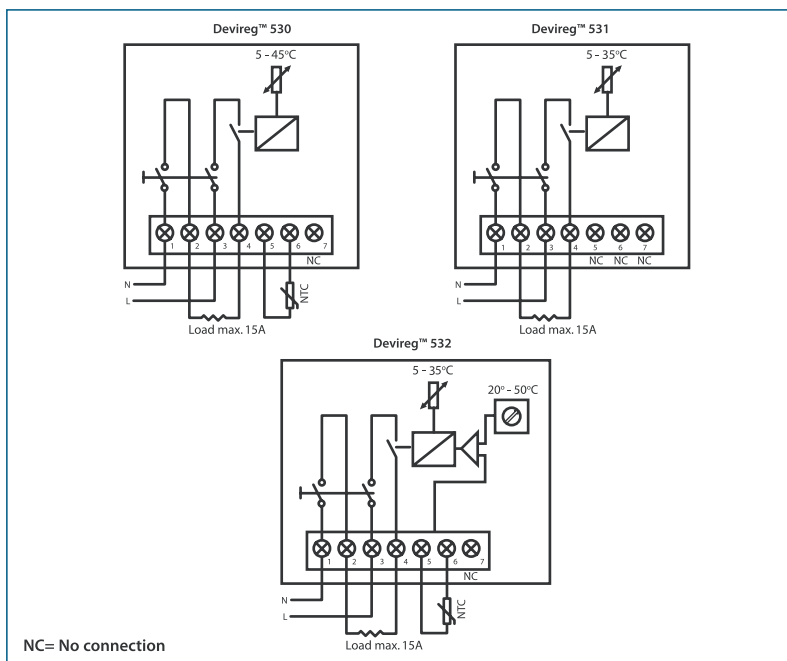
- Double pole safety breaker
- Low standby consumption
- Sensor failure monitoring
- LED indication for fault
- IP 31
- 15 A

Technical Data

Operation voltage	230 VAC +10%/-20%, 50 Hz
Standby power consumption	Max. 0.25 W
Relay • Resistive load • Inductive load	230V ~ 15A cos = 0.3 Max. 4A
Sensing unit	NTC 15 kOhm at 25°C
Sensing values • 0°C • 20°C • 50°C	42 kOhm 18 kOhm 6 kOhm
Hysteresis	± 0.2°C
Ambient temperature	-10° to +30°C
Frost protection	5°C
Sensor failure monitoring	The thermostat has a built-in monitoring circuit, which will switch off the heating if the sensor is disconnected or short-circuited
Light indications (LED) • No light • Red light • Green light • Green light flashing	The system is turned off The temperature set point is not reached The temperature set point is reached Floor sensor defect
IP class	31
Dimensions	85 x 85 mm
Warranty	2 years

Stock Program

Code No.	Thermostat Type	Temperature	Sensor
19116460	Devireg 530	5°C - 45°C	floor probe
19116461	Devireg 531	5°C - 35°C	built-in air
19116462	Devireg 532	5°C - 35°C	air/floor probe



Head Office

5/83 Bassett Street Mona Vale
PO Box 707 Mona Vale NSW 1660
Phone 1800 636 091
Fax 02 9997 7852
Email info@devi.com.au
Web www.devi.com.au

DEVI™
Heating Systems